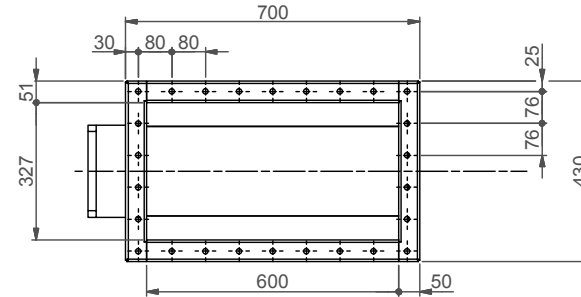
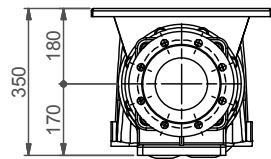
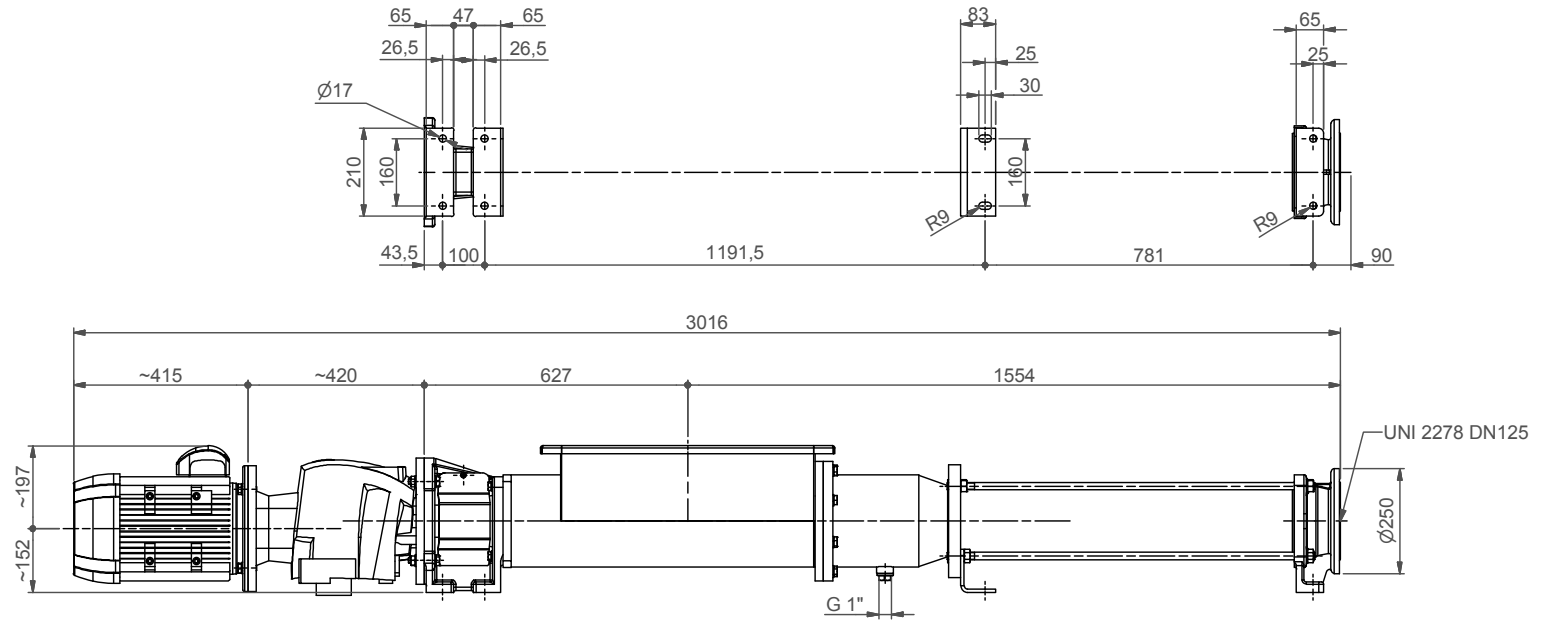


C.W.M. S.R.L.



| | | | |
|----------------------|------------------|---|----------------|
| Replacement for: | Replacement by: | | |
| TYPE : CD40-1 | Drawn: LG | Scale: 1:18 | Weight: 395 kg |
| Denomination: | Date: 07/04/14 | | Sheet 1 of 1 |
| Dimensional Drawing | Check: GM | | |
| | Date: 08/04/2014 | <i>General Tolerances ISO 2768-v</i> <i>Geometrical tolerance and roughness ISO 1302</i> | |
| | | | |
| | | | |
| | | | |